

CERTIFICATE OF CONFORMITY

Certificate Number: CFS250403-01

This is to certify that the following product from

EASTW Engineering Pte Ltd

7 GAMBAS Crescent, #08-15, ARK@GAMBAS, Singapore 757087
Client company UEN: 201503961H

has been assessed and verified to meet the requirements of SCDF regulated **Product Listing Scheme Type 5** for:

Product Category: Fire-rated Partition

Brand: EASTW

Model: EASTW / Starken

Country of Origin: Assemble in Singapore

Product Details:

A non-loadbearing system consisting of EASTW lightweight wall panel and/or Starken AAC Wall panel of 100mm to 200mm thick, and EASTW Steel stiffener / lintel assembly with lightweight concrete encasement

Integrity: 240 minutes
Insulation: 240 mins
Refer to Appendix for more Details

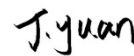
Test Standard(s): BS476-22: 1987
BS476-4: 1970

Test Report(s): Tests: AJFS2412014913FR-01, AJFS1804003746FF, 2022FED0166, SK-8500291867/THC
Assessments: WFAS240050-00, WFS250009-00

Detailed configuration and installation shall be strictly referenced to the listed test reports and assessment reports.

CoC Issuing Office:

CODIMI
63 Chulia Street, #15-01
Singapore 049514
UEN 202410280M



Jifeng Yuan, Certification Manager
For and on behalf of CODIMI Pte Ltd

- This certificate remains the property of CODIMI Pte Ltd and must be returned or securely destroyed upon request.
- For further clarification regarding the scope of this certificate or to verify its authenticity, please contact CODIMI Pte Ltd at the address provided above or visit <https://codimiglobal.com>.
- The SAC accreditation mark affixed to this certificate signifies that accreditation has been granted for activities covered under accreditation number PD-2025-31. This certificate constitutes an integral part of the full report and should be read in conjunction with the complete document to ensure proper interpretation.

Certificate Number: CFS250403-01

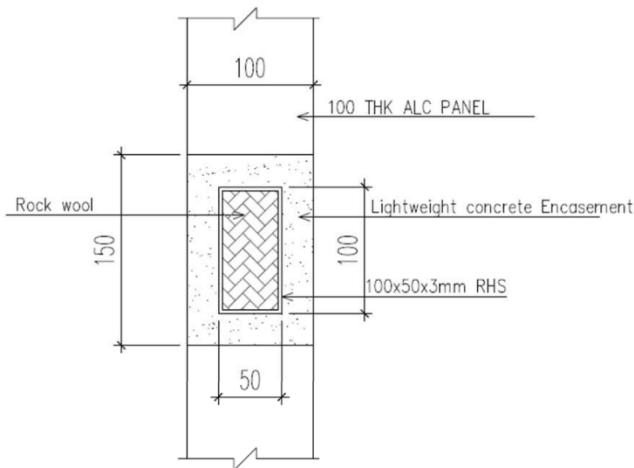
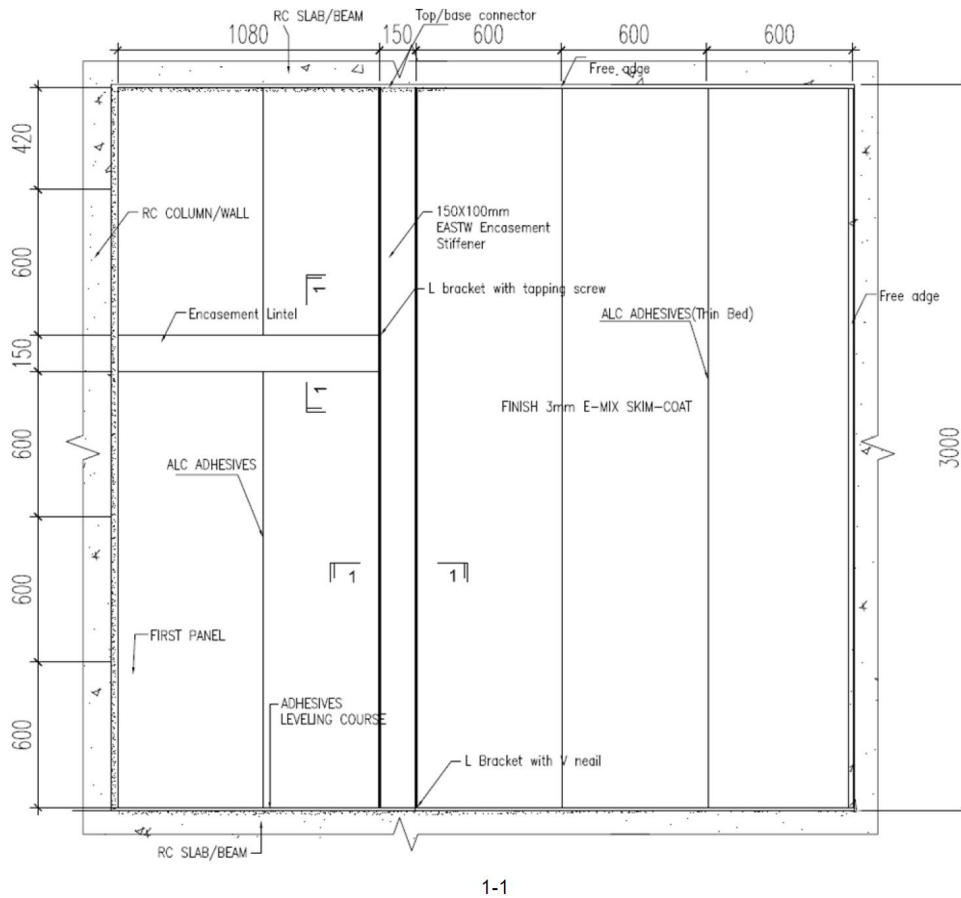
Initial Certification: 21 July 2025

Date of Revision: n/a

Date of expiration: 20 July 2030

Appendix:

Sample Construction Details:



SECTION 1-1

FOR ENCASMENT LINTEL /STIFFENER

Note: Detailed configuration and installation shall be strictly referenced to the listed test reports and assessment reports.

Certificate Number: CFS250403-01

Initial Certification: 21 July 2025

Date of Revision: n/a

Date of expiration: 20 July 2030